



WWW.BARRYIND.COM

REC2010CT-50R0JN-93

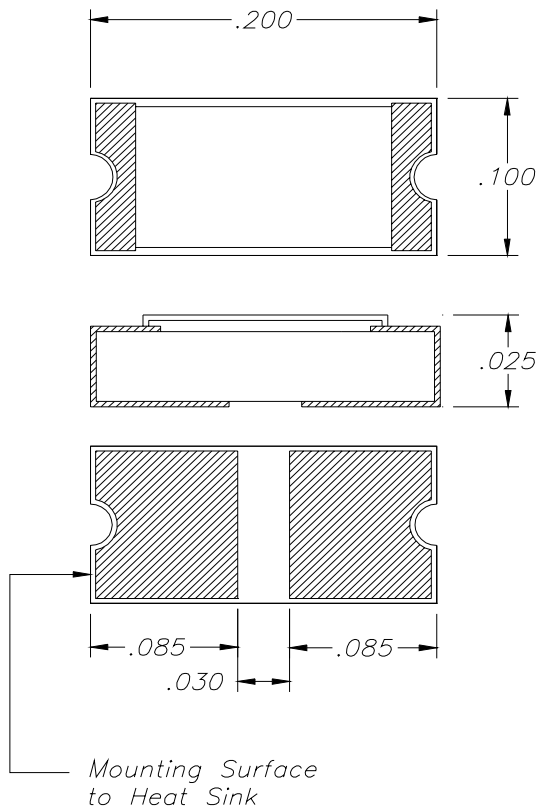
Alumina SURFACE MOUNT RESISTOR

Features:

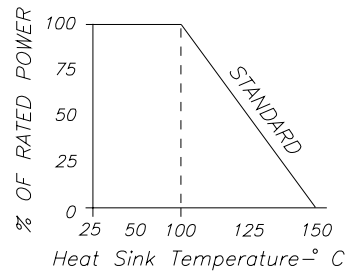
- ◆ Alumina
- ◆ Surface Mount
- ◆ 10 Watt Power Handling

General Description:

The REC2010CT-50R0JN-93 is a 50 Ohm standard Alumina surface mountable high power chip resistor ideal for small assemblies and offers a power dissipation of 10 Watts while maintaining a heat sink temperature of 100°C.



DERATING CURVE:



Parameter	Min.	Typ.	Max.	Units
Power Dissipation			10	WATTS
Heat Sink Temperature			100	°C

Barry Industries reserves the right to change part number and or process without notification.

Barry Industries, Inc., 60 Walton St., Attleboro, MA 02703 T: 508-226-3350 F: 508-226-3317 E-mail: ABSales@Vishay.com

Barry Industries maintains an ISO 9001 Certified Quality Management System

Date	Rev.
02/24/03	-